

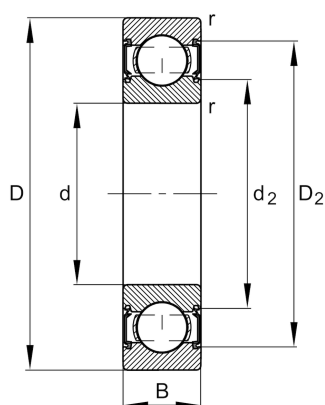
FAG

6206-C-2HRS

Deep groove ball bearing

Schaeffler ID:
0955622900000Deep groove ball bearing 62...-C-2HRS,
single row, Generation C, seals, steel
sheet metal cage

Technical information

**Main Dimensions & Performance Data**

d	30 mm	Bore diameter
D	62 mm	Outside diameter
B	16 mm	Width
C_r	22.000 N	Basic dynamic load rating, radial
C_{0r}	11.300 N	Basic static load rating, radial
C_{ur}	770 N	Fatigue load limit, radial
n_G	10.200 1/min	Limiting speed
	0,194 kg	Weight

Dimensions

r_{min}	1 mm	Minimum chamfer dimension
D_2	55,4 mm	Caliber diameter outer ring
d_2	37,5 mm	Caliber diameter inner ring

Mounting dimensions

d_{amin}	35,6 mm	Minimum diameter shaft shoulder
D_{amax}	56,4 mm	Maximum diameter of housing shoulder
r_{amax}	1 mm	Maximum fillet radius

Calculation factors

f_0	13,8	Calculation factor
-------	------	--------------------

Temperature range

T_{min}	-20 °C	Operating temperature min.
T_{max}	100 °C	Operating temperature max.

